



MINI-BEAM[®] Plastic Fiber Optic Sensors (Suffix FP1)

Fiber installation instructions for FP1-suffix Plastic Fiber Optic Models



Fiber Installation for FP1 Clamp-Style Sensor Fiber Grips

- 1) If using a bifurcated fiber, first separate the two halves of the control end of the fiber for a distance of two inches (minimum). Thread the control ends of the fiber through the bushings (supplied with the fiber) until they extend through about 6 mm (0.25").
- 2) Slide the fibers with the bushings into the ports on the face of the MINI-BEAM until the fibers stop. Slide the bushings further into the ports until they seat up against the face of the MINI-BEAM. Hold the fibers and bushings in place.
- 3) While holding the fibers and bushings against the face of the MINI-BEAM, tighten the clamp screw to secure the fibers and bushings in place.

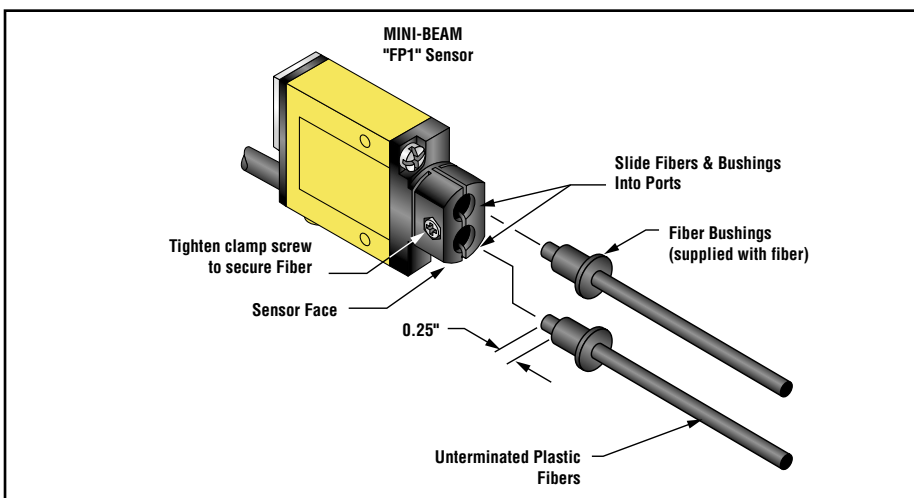
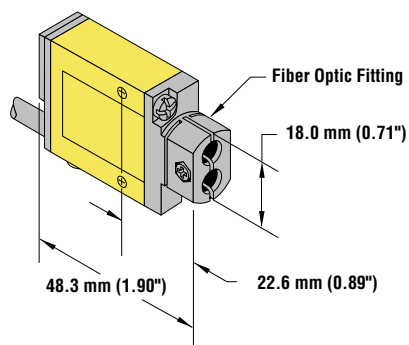


Figure 1. Fiber installation

Dimensions



WARNING . . . Not To Be Used for Personnel Protection

Never use these products as sensing devices for personnel protection. Doing so could lead to serious injury or death.

These sensors do NOT include the self-checking redundant circuitry necessary to allow their use in personnel safety applications. A sensor failure or malfunction can cause either an energized or de-energized sensor output condition. Consult your current Banner Safety Products catalog for safety products which meet OSHA, ANSI and IEC standards for personnel protection.

WARRANTY: Banner Engineering Corp. warrants its products to be free from defects for one year. Banner Engineering Corp. will repair or replace, free of charge, any product of its manufacture found to be defective at the time it is returned to the factory during the warranty period. This warranty does not cover damage or liability for the improper application of Banner products. This warranty is in lieu of any other warranty either expressed or implied.