

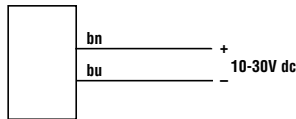
Additional information on this product is immediately available online at [www.bannerengineering.com/116161](http://www.bannerengineering.com/116161)



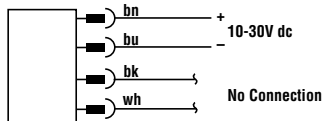
View or download additional information, including excess gain curves, beam patterns and accessories.  
For further assistance, contact a Banner Engineering Applications Engineer at (763) 544-3164 or (888) 373-6767.



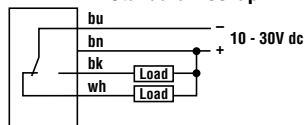
### Cabled Emitters



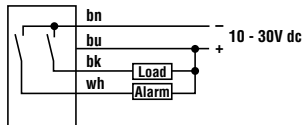
### QD Emitters



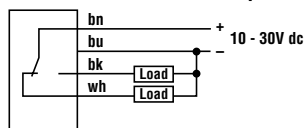
### NPN (Sinking) Outputs



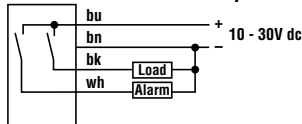
### Alarm Hookup



### PNP (Sourcing) Outputs



### Alarm Hookup



NOTE: QD hookups are functionally identical.

Sensing Mode	Range	LED	Output	Model*
	60 m (200')	Infrared 950 nm	-	<b>T306E</b>
			NPN	<b>T30SN6R</b>
			PNP	<b>T30SP6R</b>
	6 m (20')	Visible Red 680 nm	NPN	<b>T30SN6LP</b>
			PNP	<b>T30SP6LP</b>
	200 mm (8") cutoff	Infrared 880 nm	NPN	<b>T30SN6FF200</b>
			PNP	<b>T30SP6FF200</b>
	400 mm (16") cutoff		NPN	<b>T30SN6FF400</b>
			PNP	<b>T30SP6FF400</b>
	600 mm (24") cutoff		NPN	<b>T30SN6FF600</b>
			PNP	<b>T30SP6FF600</b>

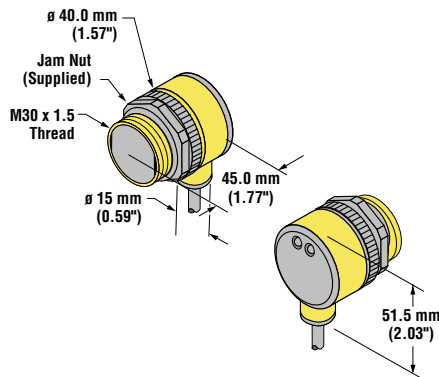
\* Standard 2 m (6.5') cable models are listed.

• **9 m (30') cable:** add suffix "W/30" (e.g., T306E W/30).

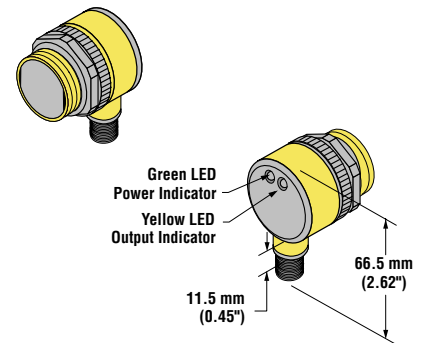
• **4-pin Euro-style QD models:** add suffix "Q" (e.g., T306EQ). A model with a QD connector requires a mating cable.

### Dimensions

#### Cabled Models



#### QD Models



### WARNING . . . Not To Be Used for Personnel Protection

**Never use these products as sensing devices for personnel protection.**

**Doing so could lead to serious injury or death.** These sensors do

NOT include the self-checking redundant circuitry necessary to allow their use in personnel safety applications. A sensor failure or malfunction can cause either an energized or de-energized sensor output condition. Consult your current Banner Safety Products catalog for safety products which meet OSHA, ANSI and IEC standards for personnel protection.

# EZ BEAM T30 Sensors – dc-Voltage Series

## Specifications

**Supply Voltage and Current (exclusive of load current):** 10 to 30V dc (10% max. ripple); supply current (exclusive of load current):

**Emitters:** 25 mA

**Receivers:** 20 mA

**Polarized Retroreflective:** 30 mA

**Fixed-Field:** 35 mA

### Supply Protection Circuitry

Protected against reverse polarity and transient voltages

### Output Configuration

SPDT solid-state dc switch; Choose NPN (current sinking) or PNP (current sourcing) models

**Light Operate:** N.O. output conducts when sensor sees its own (or the emitter's) modulated light

**Dark Operate:** N.C. output conducts when the sensor sees dark; the N.C. (normally closed) output may be wired as a normally open marginal signal alarm output, depending upon hookup to power supply (U.S. patent 5087838)

### Output Rating

150 mA maximum (each) in standard hookup. When wired for alarm output, the total load may not exceed 150 mA.

**OFF-state leakage current:** < 1 microamp @ 30V dc

**ON-state saturation voltage:** < 1V at 10 mA dc; < 1.5V at 150 mA dc

### Output Protection Circuitry

Protected against false pulse on power-up and continuous overload or short circuit of outputs

### Output Response Time

**Opposed mode:** 3 ms ON, 1.5 ms OFF

**Polarized Retro and Fixed-Field:** 3 ms ON and OFF

NOTE: 100 ms delay on power-up; outputs do not conduct during this time.

### Repeatability

**Opposed mode:** 375  $\mu$ s

**Polarized Retro and Fixed-Field:** 750  $\mu$ s

Repeatability and response are independent of signal strength.

### Indicators

Two LEDs (Green and Yellow)

**Green ON steady:** power to sensor is ON

**Green flashing:** output is overloaded

**Yellow ON steady:** N.O. output is conducting

**Yellow flashing:** excess gain marginal (1 to 1.5x) in light condition

### Construction

PBT polyester housing; polycarbonate (opposed mode) or acrylic lens

### Environmental Rating

Leakproof design rated NEMA 6P, DIN 40050 (IP69K)

### Connections

2 m (6.5') or 9 m (30') attached cable, or 4-pin Euro-style quick-disconnect fitting

### Operating Conditions

**Temperature:** -40° to +70°C (-40° to +158°F)

**Maximum relative humidity:** 90% at 50°C (non-condensing)

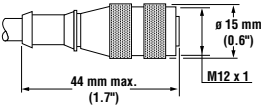
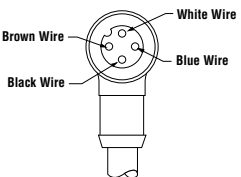
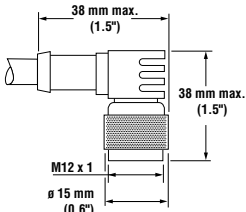
### Vibration and Mechanical Shock

All models meet Mil. Std. 202F requirements. Method 201A (Vibration; frequency 10 to 60 Hz, max., double amplitude 0.06" acceleration 10G). Method 213B conditions H&I (Shock: 75G with unit operating; 100G for non-operation)

### Certifications



## Quick-Disconnect (QD) Cables

Style	Model	Length	Dimensions	Pinout
4-pin Euro-style Straight	<b>MQDC-406</b> <b>MQDC-415</b> <b>MQDC-430</b>	2 m (6.5') 5 m (15') 9 m (30')		
4-pin Euro-style Right-angle	<b>MQDC-406RA</b> <b>MQDC-415RA</b> <b>MQDC-430RA</b>	2 m (6.5') 5 m (15') 9 m (30')		

Additional information on this product is immediately available online at [www.bannerengineering.com/116161](http://www.bannerengineering.com/116161)



View or download additional information, including excess gain curves, beam patterns and accessories.  
For further assistance, contact a Banner Engineering Applications Engineer at (763) 544-3164 or (888) 373-6767.



**WARRANTY:** Banner Engineering Corp. warrants its products to be free from defects for one year. Banner Engineering Corp. will repair or replace, free of charge, any product of its manufacture found to be defective at the time it is returned to the factory during the warranty period. This warranty does not cover damage or liability for the improper application of Banner products. This warranty is in lieu of any other warranty either expressed or implied.